



Providing a sleek look & reliable protection!

A high-impact, 90° rubber corner redirects impact energy by deflecting damaging blows away from your expensive store fixtures.

Innovative Rubber corners provide 90° of protection and eliminate the need for additional corner protection

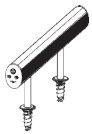
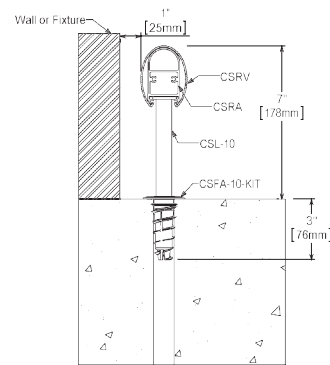
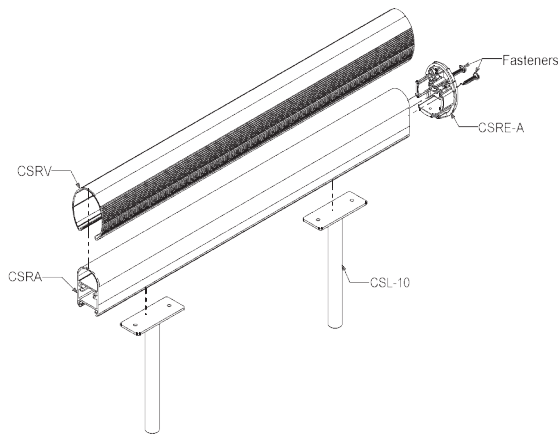
Adjustable Roller corners adjust to fit a variety of wedge-shaped cases & fixtures

Removable Can be removed for easy floor cleaning & maintenance



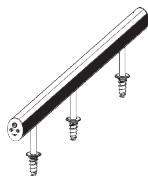


A floor-mounted rail system that is reversible for twice the life!



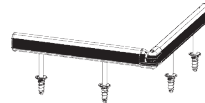
Pre-Assembled CartStop RE System

- CSR-2A-COLOR (2')
- CSR-4A-COLOR (4')
- CSR-6A-COLOR (6')
- CSR-8A-COLOR (8')



Pre-Assembled CartStop RE System

- CSR-10A-COLOR (10')
- CSR-12A-COLOR (12')



Pre-Assembled Corner Guard

- CSR-1x1A-COLOR (1'x1')
- CSR-2x2A-COLOR (2'x2')
- CSR-4x4A-COLOR (4'x4')



Aluminum End Cap

CSRE-A
With Self Tapping Screws



Black Rubber 90° Corner

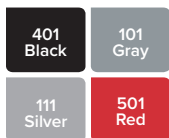
CSRC-RUB



Adjustable Roller Connector

CSRC2-COLOR
With Self Tapping Screws

* Individual components available. Call Customer Service for additional inquiries.



Stock Colors
Available to ship within 2 weeks.



Standard Colors
Available to ship within 4 weeks.



Custom Color Matching
Pre-matched colors ship within 5 weeks. Otherwise allow 6-8 weeks for delivery. Minimums may apply.

U.S. Patent Numbers: 5891534, 6991413